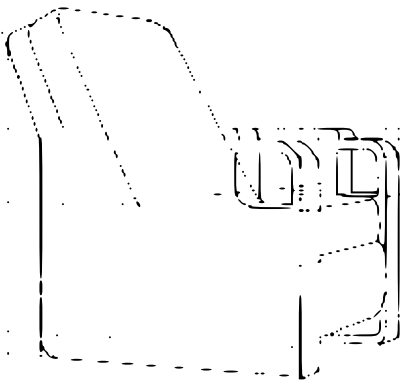
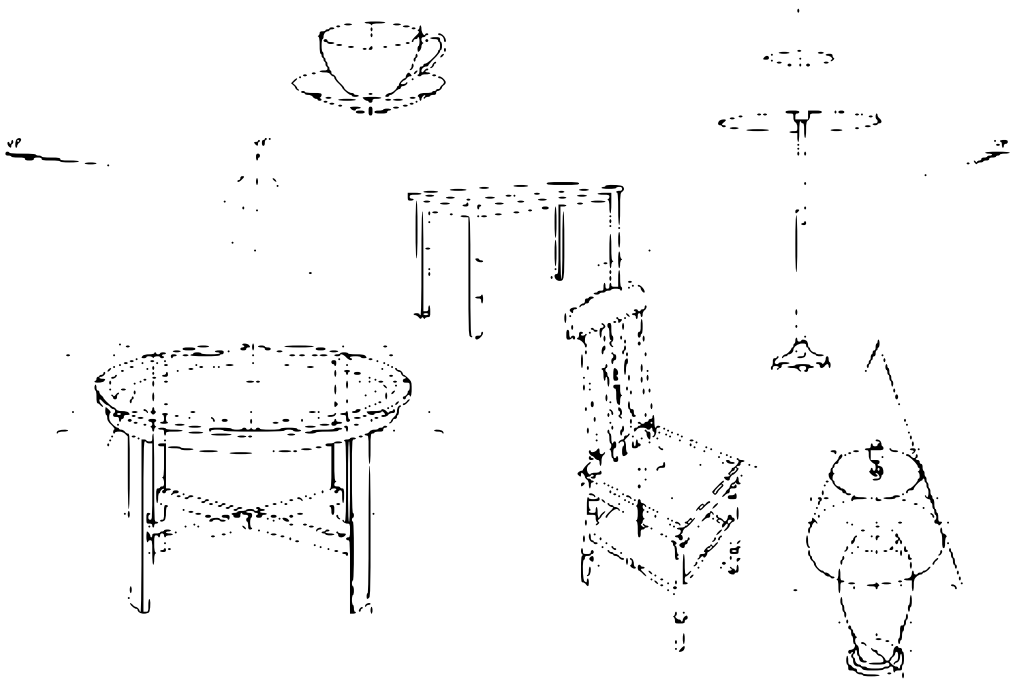


FURNITURE



furniture must always be drawn in correct perspective and so that all vanishing points fall on the picture horizon. Especial attention should be given to the size of furniture is relative to figures. Draw all ellipses parallel with ground plane never on a slant. Photos will often distort objects that are round. Correct copy of that kind. Draw all kinds of objects.